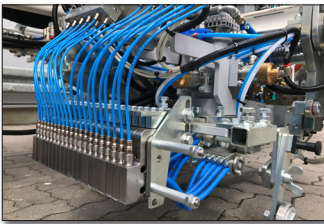




H33-4



①



②



③

Most compact machine with very high capacities and excellent hill climbing ability.

- Robust, high-effective 7-ton construction machine axle with hydraulically switchable speed ranges combined with a high-speed hydraulic motor.
- Cooling system with automatic adaption of ventilator speed to ambient temperature and machine load (noise reduction at normal machine load and higher cooling performance at extreme machine load).
- Inlet of whole cooling air from upper side of the machine - far away from spray mist.
- Two pressurised glass bead tanks. Filling openings for glass beads at the side of the machine in ideal filling height.
- Cockpit with all operating elements laterally adjustable without the need to install guides.
- Arrangement of operating and supervising instruments can be easily modified according to individual requirements. Adjustable, easy extractable spraygun support for center- and edge line markings.
- Engine compartment easily accessible for service work. High ground clearance also eases service works from below.
- Excellent panoramic view, also when driving backwards.
- Available as an option: Individual application units are exchangeable (exchangeable container) with low effort by quick opening device systems and modular design principle.

- ① H33-4 with pressureless container (570 l) for thermoplastics with Multi-DotLine® Universal Extruder, swiveling under the container, extruder 50 cm
- ② 2-component cold plastics with bellow pump, Spotflex® system, M98:2
- ③ On-board computer and line gap electronic ELC4

H33-4



ROAD MARKING SYSTEMS

Technical Data

4-cylinder 3800 cm³, Kubota Turbo diesel engine, water-cooled

Version I:

Non-Label (comparable to **EU Stage II** resp. (US) EPA Tier 2) 74,0 kW at 2600 rpm

Version II:

Low-emission **EU Stage V** resp. (US) EPA Tier 4 with diesel oxidation catalyst (DOC) and Diesel Particulate Filter (DPF) as well as SCR catalytic converter with AdBlue[®] and intercooler 86,4 kW at 2600 rpm

Fuel tank: 150 l in safety zone above rear axle

Hydraulic oil tank: 85 l

Air output, alternatively: 2800 - 3500 l/min at 7,5 bar; compressed-air cooler

Drive unit:

- infinitely variable hydraulic drive
- acts simultaneously as service brake
- speed ranges:
2: 0-5,3 / 0-19,5 km/h
4: 0-4,3 / 0-6,5 / 0-16,0 / 0-24,5 km/h

Power-take-offs for up to 5 hydraulic pumps, for several drives like material metering pumps, agitators etc.

Pressure glass bead container tank:

2 x 160 l (up to max. 3 bar)

Dimensions approx. (mm): 5 300 - 6 100 x 1 340 x 2 380 (dependent on equipment)

Weight, equipped: approx. 2 600 - 4 400 kg approx. 5 730 - 9 700 lbs

Max. gradient angle: 50 % (26°) at 6 500 kg/14 330 lbs at low speed

Total admissible weight: approx. 6 800 kg approx. 14 991 lbs

A Cold paints

Containers

up to 1080 l * mounted longitudinally: up to 385 l * (swivel-mounted pressure container)

540- and 1000 l pressure container are suitable for equipment with universal pump (up to 24 l/min pump capacity), can be operated also unpressurised.

Universal pump suitable for high-pressure spraying method (Airless) and low-pressure spraying method (atomising-air-spraying method/Airspray).

Using the Airspray method the pump is also suitable for non-airless paints with or without mixed-in glass beads.

(see information n° 374 and 382)

A 2-component cold plastics-

Containers

sprayable cold plastics: up to 1 000 l *

A cold plastics: up to 650 l *

540- and 1000 l pressure container (only 98:2) are suitable for equipment with universal pump (up to 24 l/min pump capacity), can be operated also unpressurised.

Sprayable cold plastics 1:1 and 98:2

Universal pump suitable for high-pressure spraying method (Airless) and low-pressure spraying method (atomising-air-spraying method/Airspray). Using the Airspray method the pump is also suitable for non-airless sprayable cold plastics with or without mixed-in glass beads.

(see information n° 374, 387)

Extrud. cold plastics 1:1 and 98:2 Plain, structured (agglomerate) and Spotflex[®] (bellow pump or pressurised container system) as well as profiled markings (screed box system) up to 15 mm line thickness (depending on material).

(see information n° 384, 385)

A Thermoplastics

Containers

extrudable thermoplastics: up to 710 l * Container heated by LPG or diesel oil.

Open thermoplastic screed boxes with oil jacket and LPG- or diesel oil heating, incl. exchangeable shutters for line widths from 10-50 cm as well as equipments for profiled markings.

(see information n° 279)

Closed thermoplastic screed boxes heated directly from container, with oil circulation pump.

Thermoplastic extruder for single-, double- and triple lines of variable width, for simultaneous application of continuous / interrupted lines as well as for agglomerate- (MultiDotLine[®] Universal Extruder /MultiDotLine[®]-Plus) and profiled markings. Due to its modular design, existing extruders can be modified at any time in order to execute different plain- and profiled markings

(see information n° 279, 343, 430)

Combinations of extrudable thermoplastic (extruder- or screed box) and sprayable thermoplastic with metering pump (pressureless) or pressurised containers possible.

A Sprayable thermoplastics

Containers

sprayable thermoplastics: up to 800 l * Container heated by LPG or diesel oil.

Gun support for several spray guns infinitely laterally adjustable between left and right side of machine.

Heat transfer oil circulating pump and heat exchanger for heating of atomising air for improvement of material sprayability.

300 l pressurised container: container wall detachable for easy cleaning.

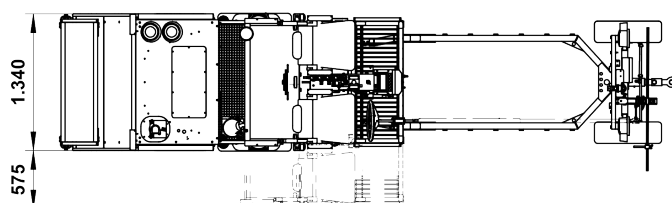
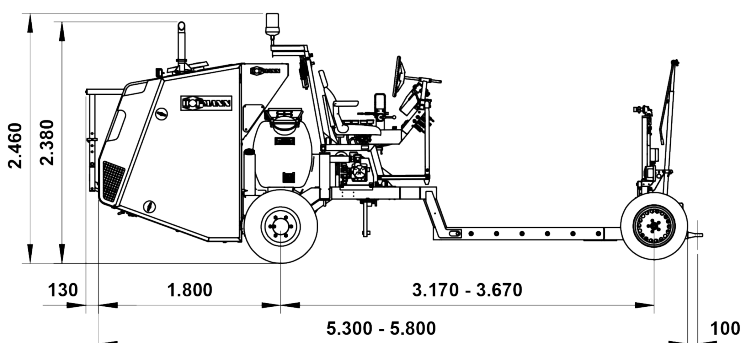
In case of an air pressure drop an emergency valve closes automatically.

Combinations of sprayable thermoplastic with metering pump (pressureless) or pressurised containers and extrudable thermoplastic applied by extruder or screed box (pressureless) possible.

A Marking with control governed by travelled distance

(AMAKOS[®]) can be used under certain circumstances:

Constant line thickness irrespective of marking speed as well as manual adjustments are selectable. (see information n° 396)



*Customised sizes upon request